

LückEner

Quick Installation

Three-phase String Inverter



Gi003K-A1.11-P3NV-L ; Gi004K-A1.11-P3NV-L ;
 Gi005K-A1.11-P3NV-L ; Gi006K-A1.11-P3NV-L ;
 Gi007K-A1.11-P3NV-L ; Gi008K-A1.22-P3NV-L ;
 Gi009K-A1.22-P3NV-L ; Gi010K-A1.22-P3NV-L ;
 Gi012K-A1.22-P3NV-L ; Gi015K-A1.22-P3NV-L ;
 Gi017K-A1.22-P3NV-L



Download manual



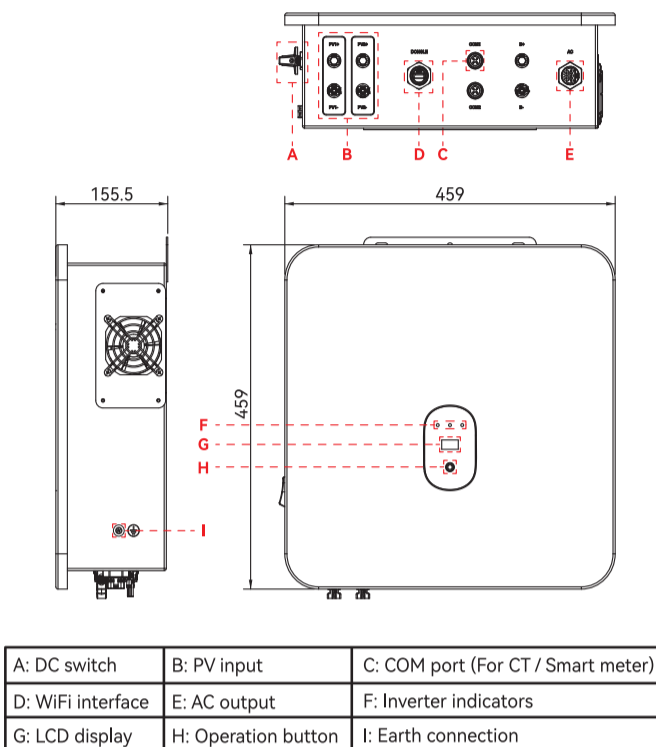
Download APP

8.350.00016.01 V1.0
 Information might be subject to change
 without notice during product improving.

Note:
 This guide provides quick installation instructions for the LT string inverter. It is intended to assist qualified personnel in completing installation efficiently. Installation must be performed by certified electrical professionals.

For detailed installation procedures and safety information, please refer to the User Manual on the official website (www.lt-ess.com).

1. Product Overview

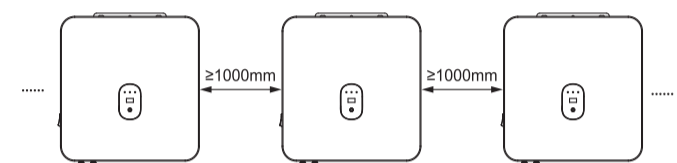
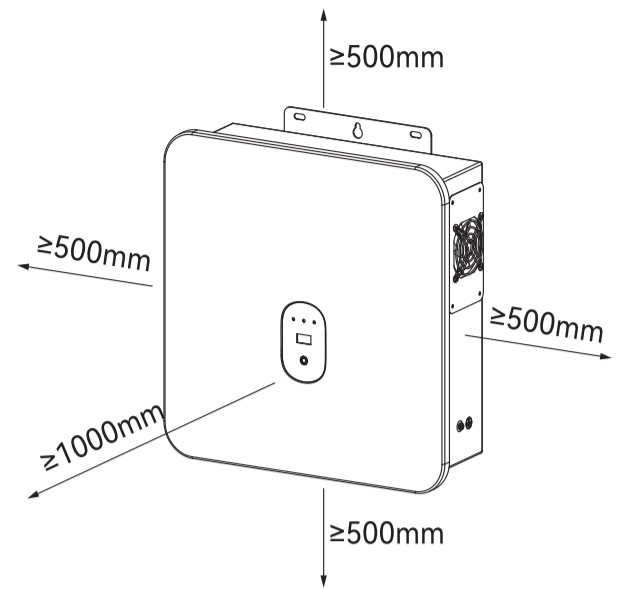


P1

Note:
 Different models are equipped with different numbers of PV terminals and MPPTs. For details, please refer to the datasheet or user manual.

2. Installation

2.1 Installation requirements

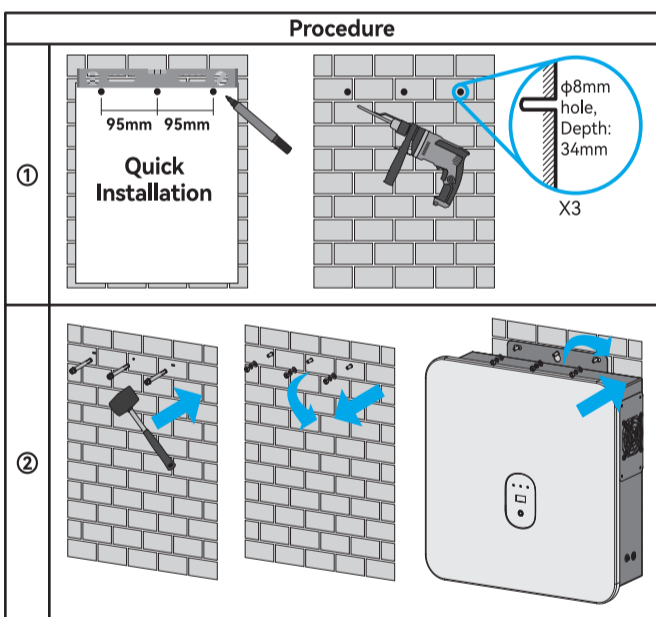


2.2 Mounting

1. Use the three positioning points at the top of the quick installation manual to mark the drilling points.
2. Drill holes and insert expansion bolts.
3. Loosen the screws and remove both the screws and the washers.
4. Lift the inverter, position it at the marked points, and secure it by tightening the screws and washers.
5. Check that the inverter is level and stable.

P2

Jiangsu LT Technology Co., Ltd.
 info@lt-ess.com
 www.lt-ess.com
 3rd Floor, Building 4, No. 187 Jinsan East Road,
 High-tech Zone, Suzhou, Jiangsu, China



P3

3. Electrical Connections

Before installation, please prepare the necessary cables. The following specifications are only recommended values. The cables used for electrical connections must be dedicated photovoltaic (PV) cables. All electrical connections must comply with local electrical regulations.

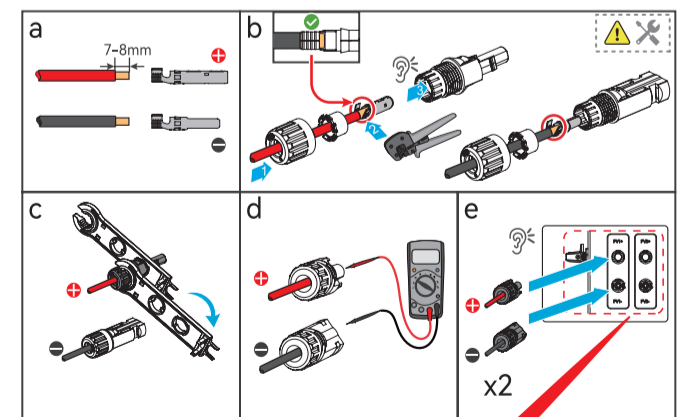
Type	Model	Recommend Cable
PV connection	All models	3.3mm ² OR 12AWG
AC connection & Grounding connection	Gi003K-A1.11-P3NV-L ; Gi004K-A1.11-P3NV-L ; Gi005K-A1.11-P3NV-L ; Gi006K-A1.11-P3NV-L ;	0.9mm ² OR 18AWG
	Gi007K-A1.11-P3NV-L ; Gi008K-A1.22-P3NV-L ; Gi009K-A1.22-P3NV-L ;	1.3mm ² OR 16AWG
	Gi010K-A1.22-P3NV-L ; Gi012K-A1.22-P3NV-L ; Gi015K-A1.22-P3NV-L ; Gi017K-A1.22-P3NV-L	2.1mm ² OR 14AWG
		3.3mm ² OR 12AWG

Warning:

1. Always use a protective breaker if applicable and keep the breaker in disconnected status during electrical connection.
2. Always measure terminal voltage and confirm the reading is 0 before electrical connection. DO NOT make electrical connection with live voltage!

3.1 PV Connection

- Check that the PV string open voltage does not exceed the inverter's maximum DC input voltage.
- Check that the PV module operating current and short-circuit current do not exceed the inverter's rated specifications.
- Verify that the PV inputs are connected to the inverter with the correct polarity.
- Ensure the total PV capacity does not exceed the inverter's input capacity.
- Please check whether the PV wiring is unreversed and not loose.



Note:

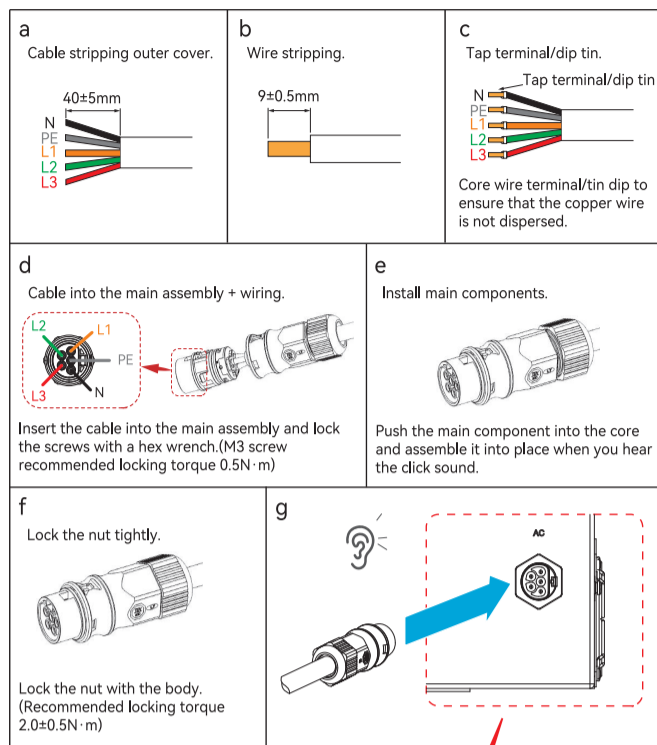
Inverters of different rated power have different numbers of PV input.

P4

LückEner

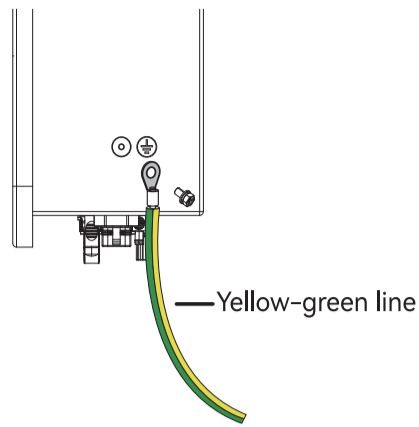
3.2 AC Connection

Before installing the AC connections, ensure that the AC breakers are turned off to make sure the installer's safety.



P5

3.3 Grounding Connection

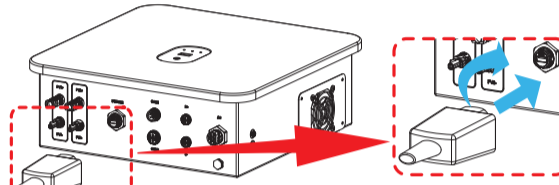


4. Communication Connection

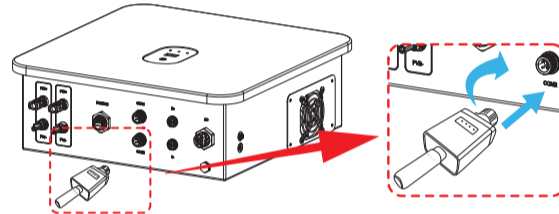
4.1 Monitoring device installation

Install the data logger as shown in the diagram. Tighten connectors and ensure waterproof seals are in place.

WiFi version:



4G version:



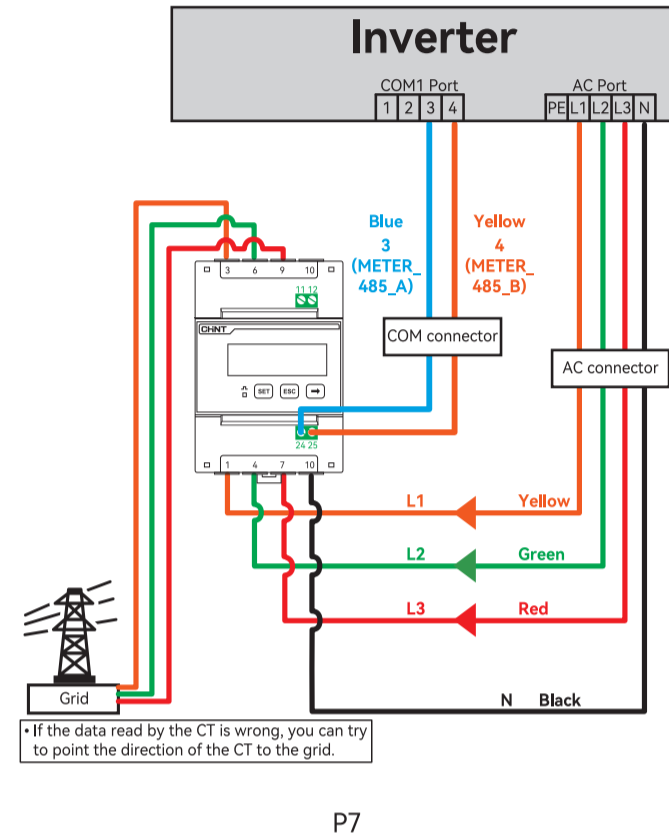
P6

4.2 Smart Metre Connection (Optional)

To enable export limitation and energy monitoring functions, the inverter supports connection of **Current Transformer (CT) or Smart Metre**.

Note: Ensure the direction of measurement follows the current flow from the inverter to the grid.

Smart Meter:



P7

5. Quick setting

5.1 Power ON/OFF

After completing all the steps above, then follow the instructions below to power ON.

Power ON:

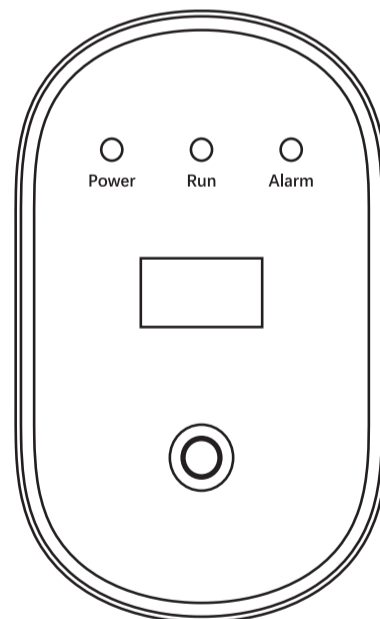
1. Before powering on the inverter, verify that all wiring mentioned above is correct.
2. Switch on the DC breaker.
3. Switch on the AC breaker.
4. Turn on the DC switch of the inverter and wait for the power to start.
5. After startup, the inverter will perform an initial self-check.
6. When the self-check is finished, proceed with the configuration steps described below.

Power OFF:

1. If you need to power off the inverter, first switch off the AC breaker.
2. Switch off the DC breaker.
3. Turn off the DC switch.
4. There is residual voltage existing in the inverter after powering off, which needs 5 min to discharge. Wait at least 5 minutes before you make any operations.

P8

5.2 Display Panel



5.3 LED Indicator

Indicator	Color	Status	Meaning
Power	Green	Steady On	PV has power
		Flashing	Self-check
		Off	PV has no power
Run	Green	Steady On	Grid has power, normal running
		Off	Not running
Alarm	Red	Steady On	In fault
		Off	Normal running

P9

5.4 Safety Setting

Under normal circumstances, the inverter is factory-configured with grid protection settings that comply with the requirements of your local region. Therefore, this setting usually does not require any additional adjustment.

If the power grid in your area experiences significant fluctuations and manual configuration is required, please make the necessary adjustments under the Safety Settings.

6. Completion

Now, you can check whether the Run indicator (green) on the inverter is steadily on. If yes, The inverter is now operating! Additional settings can be configured via the screen or the app.

Additionally, connect the **datalogger** to the inverter; please refer to the **datalogger installation manual**.

P10